

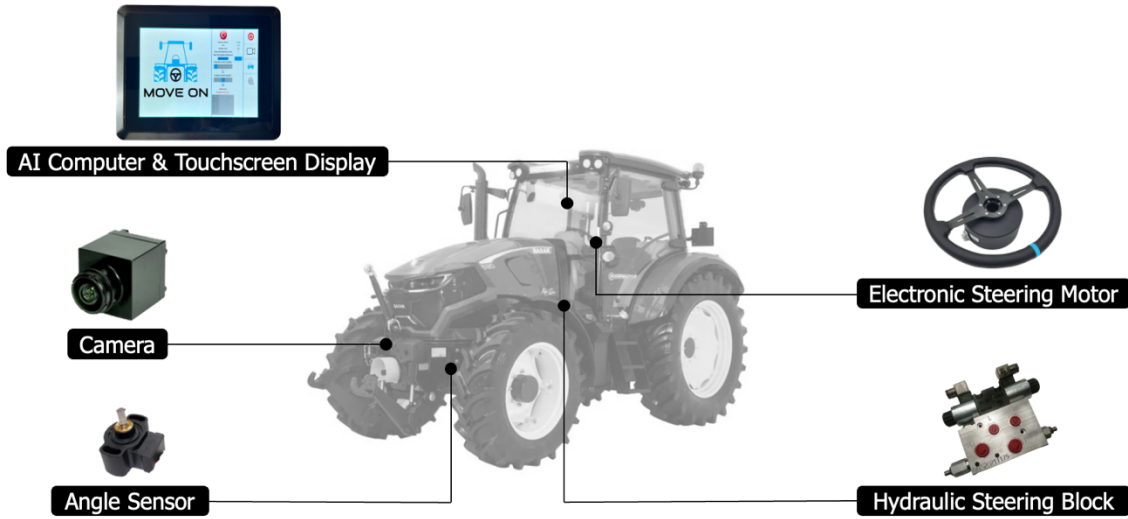


Vision Guidance Based Tractor Automatic Steering Kit

TAS – Vision Guidance Based Tractor Automatic Steering Kit that produce hands-free driving for tractors.

TAS kit makes sense of the plant and the field with camera and artificial intelligence softwares, steering can be done with **1 cm precision**.

TAS Kit consists of 4 components such as Camera, Artificial Intelligence Computer & Touchscreen Display, Angle Sensor and optional electronic or hydraulic steering units.



Our company protects the IP Rights of our product with the Patent Registrations numbered 2018/01519, 2021/003997, PCT-TR2021/051207 and the Trademark Registration numbered 2021/03452.

Camera

TAS – Vision Guidance Based Tractor Automatic Steering Kit works with the logic of interpreting the images captured from the camera with artificial intelligence softwares and making route extraction in this direction. TAS recognizes the field and the plant by computer vision technologies the camera. The camera is resistant to water, dust and mud with IP69 protection class.



AI Computer and 8" Touchscreen Display

The AI computer and 8" touchscreen display in the TAS Kit make sense of the images taken from the camera and perform the route calculations that the tractor needs to proceed.

Angle Sensor

With the angle sensor placed on the tractor axle, the system reaches the rotation angle information of the tractor and produces the angle information that the tractor should go. The angle sensor is resistant to water, dust and mud in the IP69 protection class.



Hydraulic or Electronic Steering

TAS kit performs steering in 2 different ways. By changing the steering wheel of the tractor steering is done with electronic steering or with a hydraulic block completely designed by our company without making any changes in the tractor cabin.

